

SU35

Single-Axle Utility Trailer

Ideal for home & garden; accommodates many side-by-sides, RTVs and commercial mowers

The single-axle OrangeLine SU35 delivers professional-grade quality at the size and value you need for home and garden projects. Transport side-by-sides, RTVs, commercial mowers and more with ease, thanks to the SU35's streamlined design and purpose-built features. Count on OrangeLine to keep you rolling.

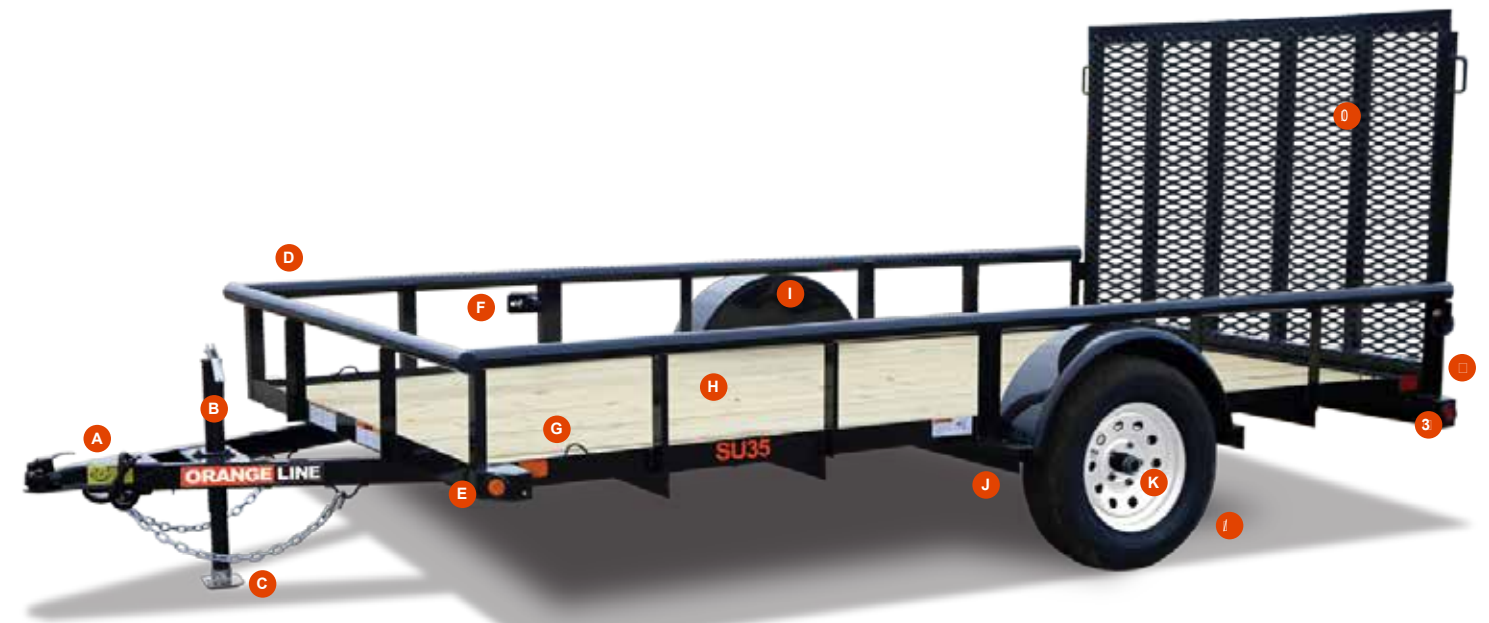
Weights & Capacities

Model	SKU #	Description	GVWR	Empty Weight*	Payload
SU35-12BKRG	1K4L35	77" x 12' Single-Axle Utility Trailer	2,995	1,080	1,915
SU35-14BKRG	1K5L05	77" x 14' Single-Axle Utility Trailer	2,995	1,170	1,825

*Weights shown are estimates only

Specifications

Frame	3" x 2" x 3/16" Angle	Suspension	Multi-Leaf Spring
Cross Members	3" x 2" x 3/16" Angle	Tires	ST205/75R-15 Load Range C
Top Rail	2-3/8" OD Pipe Top Rail	Wheels	15" x 5"; White Mod, 5 on 5 Bolt Pattern
Uprights	2" x 2" Angle	Decking	2" Treated Pine
Coupler	2" A-Frame	Lights	Recessed, L.E.D. D.O.T. Stop, Tail, Turn & Clearance
Jack	2,000# Top Wind, Set-Back Jack w/ Removable Sand Foot	Electric Plug	4-Way Flat w/ Loom
Fenders	9" x 32" Rolled Steel w/ Back	Wiring	Protected Wiring Package
Axle	Dexter Brand, 3,500# Axle w/ EZ Lube Hubs	Rampgate	4' Tall Rear Rampgate w/ Coil-Spring Assist
Brakes	None	Cargo Control	(4) Tie Down Loops Inside Bed

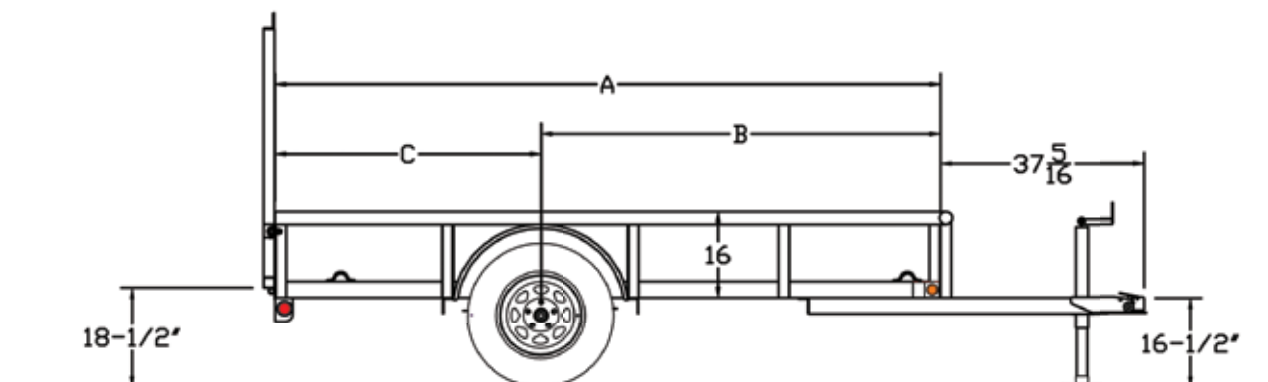


- A 2" A-Frame Coupler
- B 2,000# Set-Back Jack
- C Sand Foot on Jack
- D 2-3/8" OD Pipe Top Rail
- E Lifetime L.E.D. Lights
- F Spare Tire Mount
- G (4) Tie Loops
- H Treated Southern Pine Deck
- I Professional & Durable Valspar Finish
- J BWHUQDHUOH
- K (4) LED
- L Radial Tires
- M 4' Tall Rear Rampgate
- N Coil Spring Assist on Rampgate
- O Recessed Lighting & Protected Wiring



Dimensions

Length	Width	A	B	C
12'	77"	145-1/2"	85"	60-1/2"
14'	77"	169-1/2"	97"	72-1/2"





Package-Ready Trailers

OrangeLine Trailers were selected to perfectly match up with Kubota products, so you get a trailer that's built right for your equipment needs.



Quality, Professional-Grade Trailers

OrangeLine Trailers are designed to include top-of-the-line components and the features preferred by professional users.



3-Year Structural Warranty

Have peace of mind with your purchase knowing that OrangeLine Trailers are backed by a 3-Year Structural Warranty.



Kubota Financing Friendly

OrangeLine Trailers is an allied partner with Kubota – that means you can finance your OrangeLine Trailer with your Kubota equipment purchase.



www.orangelinetrailers.com